



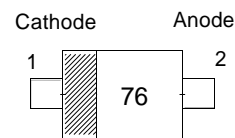
RB160M-60 Plastic-Encapsulate Diodes

Schottky Barrier Diode



FEATURES

- Small Power Mold Type
- Low I_R
- High Reliability



SOD-123

MARKING: 76

Maximum Ratings @ $T_a=25^{\circ}\text{C}$

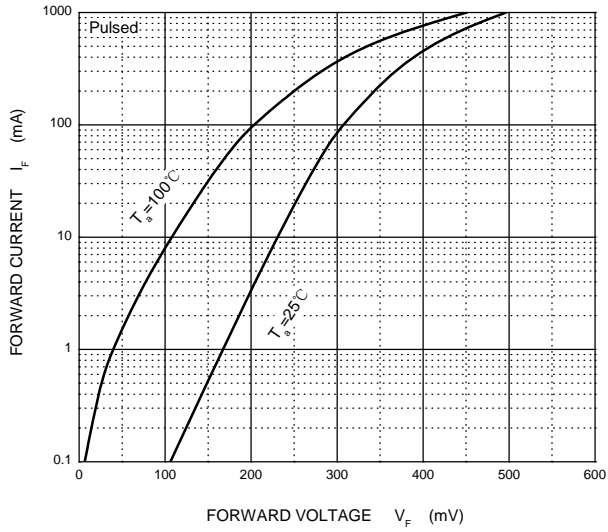
Parameter	Symbol	Limit	Unit
DC reverse voltage	V_R	60	V
Mean rectifying current	I_O	1	A
Peak forward surge current 4 ms, 10% duty cycle	I_{FSM}	10	A
Power dissipation	D_8	350	mW
Thermal Resistance Junction to Ambient	θ_{JA}	286	$^{\circ}\text{C/W}$
Junction temperature	T_j	150	$^{\circ}\text{C}$
Storage temperature	T_{stg}	-55~+150	$^{\circ}\text{C}$

Electrical characteristics @ $T_a=25^{\circ}\text{C}$

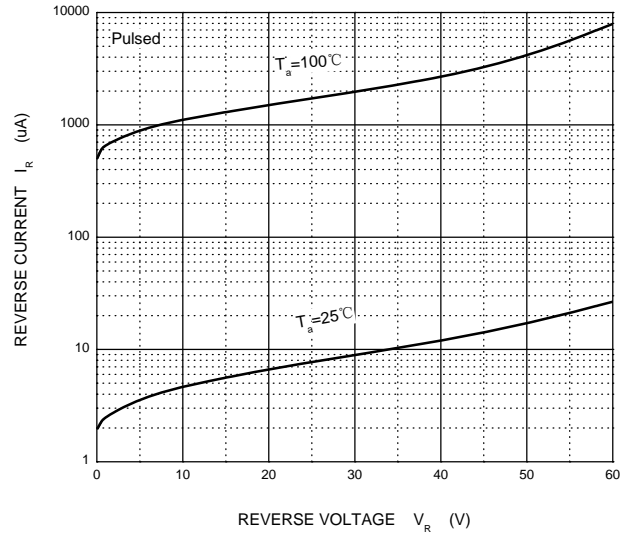
Parameter	Symbol	Min.	Typ.	Max.	Unit	Conditions
Forward voltage	V_F			0.7	0	V $I_F=1\text{A}$
Reverse current	I_R			30	μA	$V_R=60\text{V}$



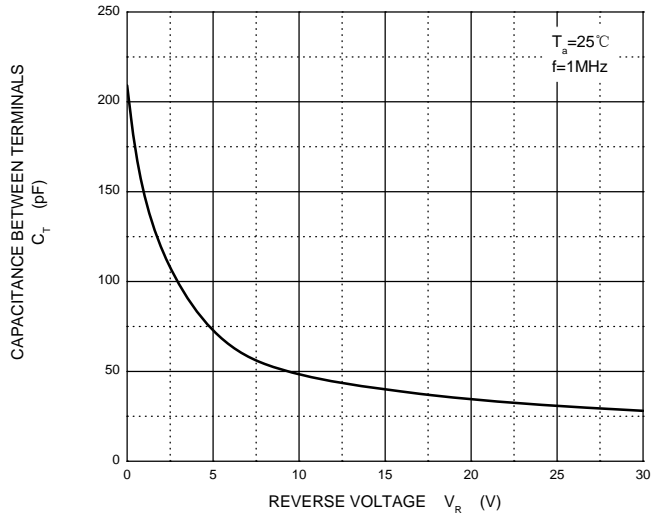
Forward Characteristics



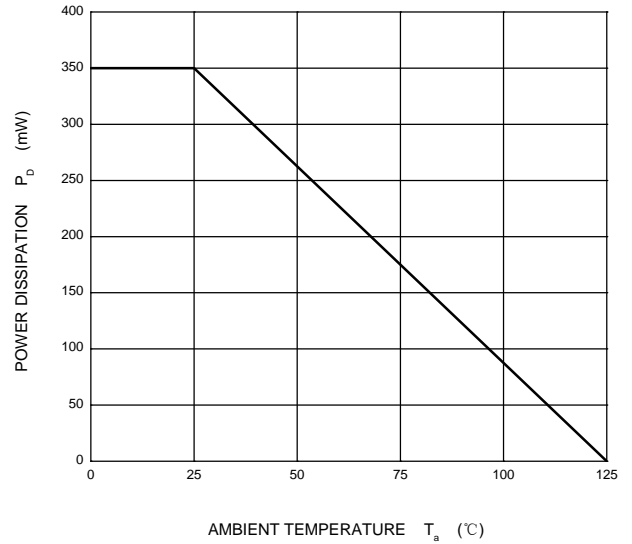
Reverse Characteristics



Capacitance Characteristics



Power Derating Curve

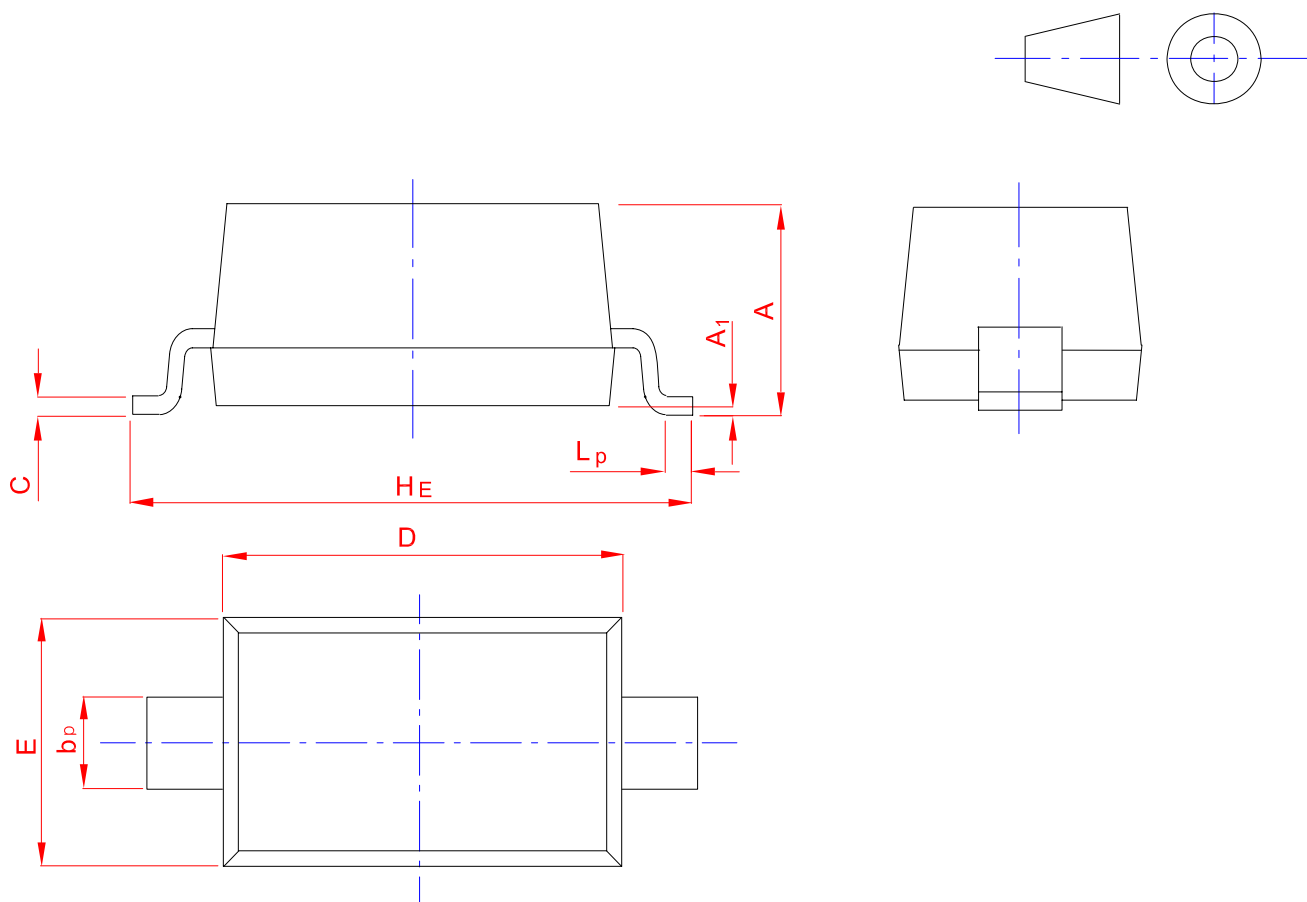




PACKAGE OUTLINE

Plastic surface mounted package; 2 leads

SOD-123



UNIT	A	b _p	C	D	E	H _E	A ₁	L _p
mm	1.20	0.60	0.135	2.75	1.65	3.85	0.10	0.50
	0.90	0.50	0.100	2.55	1.55	3.55	0.01	0.20